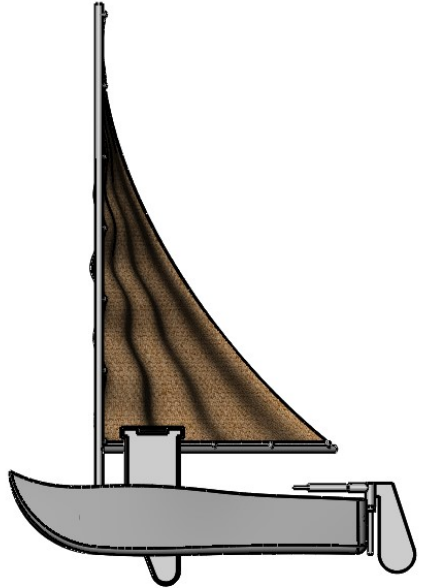
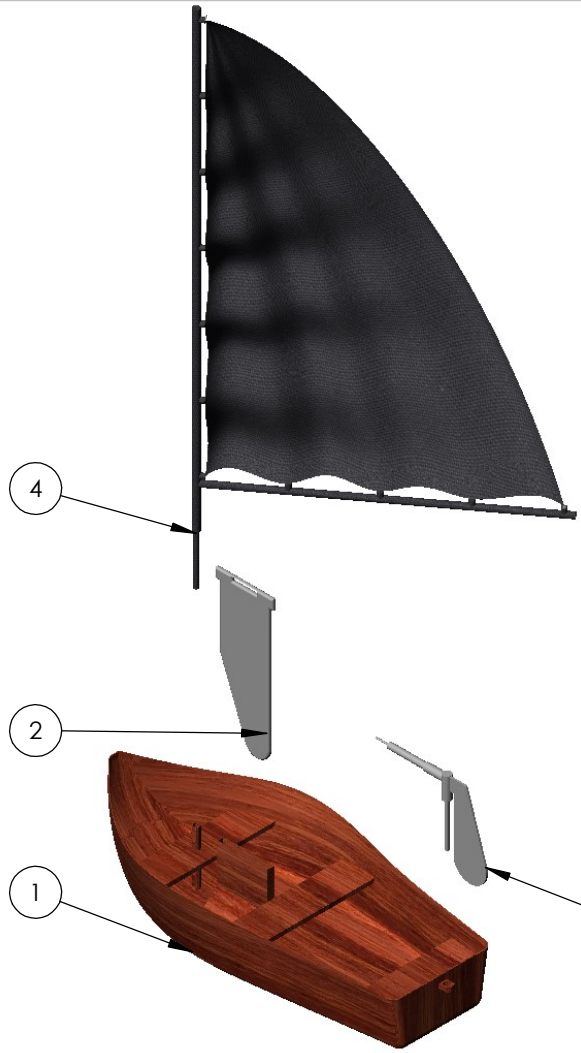


2

1

B


B



| ITEM NO. | PART NUMBER | AltPosition_Default_1/Qty. |
|----------|-------------|----------------------------|
| 1        | Boat        | 1                          |
| 2        | keel        | 1                          |
| 3        | rudder      | 1                          |
| 4        | SAIL 1      | 1                          |

A

A

|   |  |  |  |   |                          |   |  |
|---|--|--|--|---|--------------------------|---|--|
| <b>PROPRIETARY AND CONFIDENTIAL</b><br>THE INFORMATION CONTAINED IN THIS DRAWING IS THE SOLE PROPERTY OF PALAVI DECOR. ANY REPRODUCTION IN PART OR AS A WHOLE WITHOUT THE WRITTEN PERMISSION OF PALLAVI DANDEKAR IS PROHIBITED. |  | UNLESS OTHERWISE SPECIFIED:<br><br>DIMENSIONS ARE IN MM<br>TOLERANCES:<br>FRACTIONAL ±<br>ANGULAR: MACH ± BEND ±<br>TWO PLACE DECIMAL ±0.10<br>THREE PLACE DECIMAL ±0.05 |  | NAME<br><b>PALLAVI</b>  | DATE<br><b>MAY 11-17</b> | PALAVI DECORE  |  |
|   |  | INTERPRET GEOMETRIC TOLERANCING PER:ANSI 3RD ANG.  |  | DRAWN   |                          | TITLE:  |  |
|   |  | MATERIAL<br>VARIOUS  |  | CHECKED   |                          | SAIL BOAT   |  |
| NEXT ASSY   |  | USED ON  |  | ENG APPR.   |                          | SIZE DWG. NO. REV   |  |
|   |  | FINISH<br>N/A  |  | MFG APPR.   |                          | A S101  |  |
| APPLICATION   |  | DO NOT SCALE DRAWING   |  | Q.A.  |                          | SCALE: 1: 60 WEIGHT SHEET 1 OF 2  |  |
|   |  |  |  | COMMENTS:<br>1)ROUND ALL SHARP CORNERS TO R 0.5 MAX<br>2) APPLY CADMIUM TO BRACKETS |                          |   |  |

2

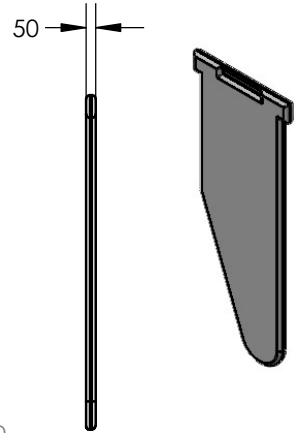
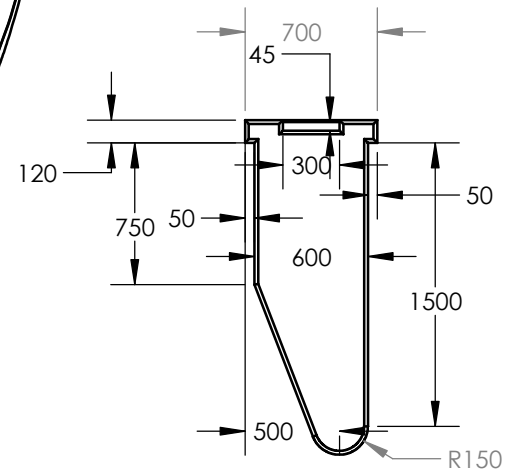
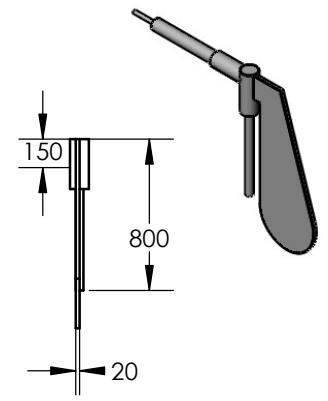
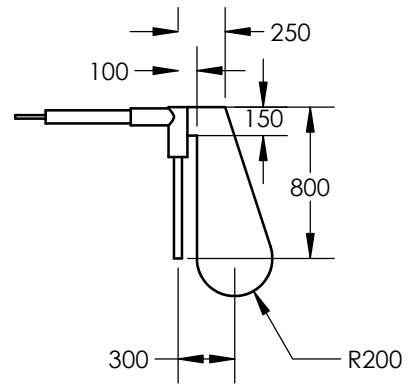
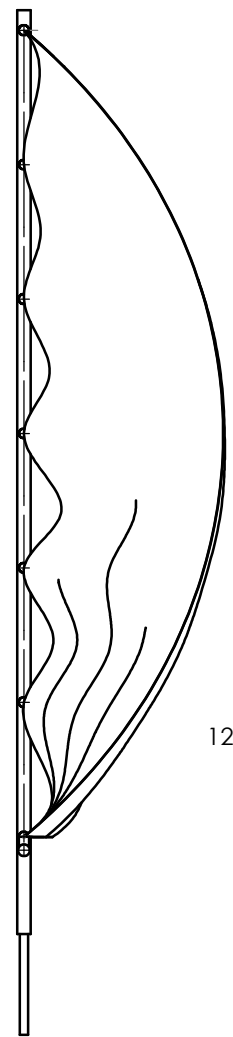
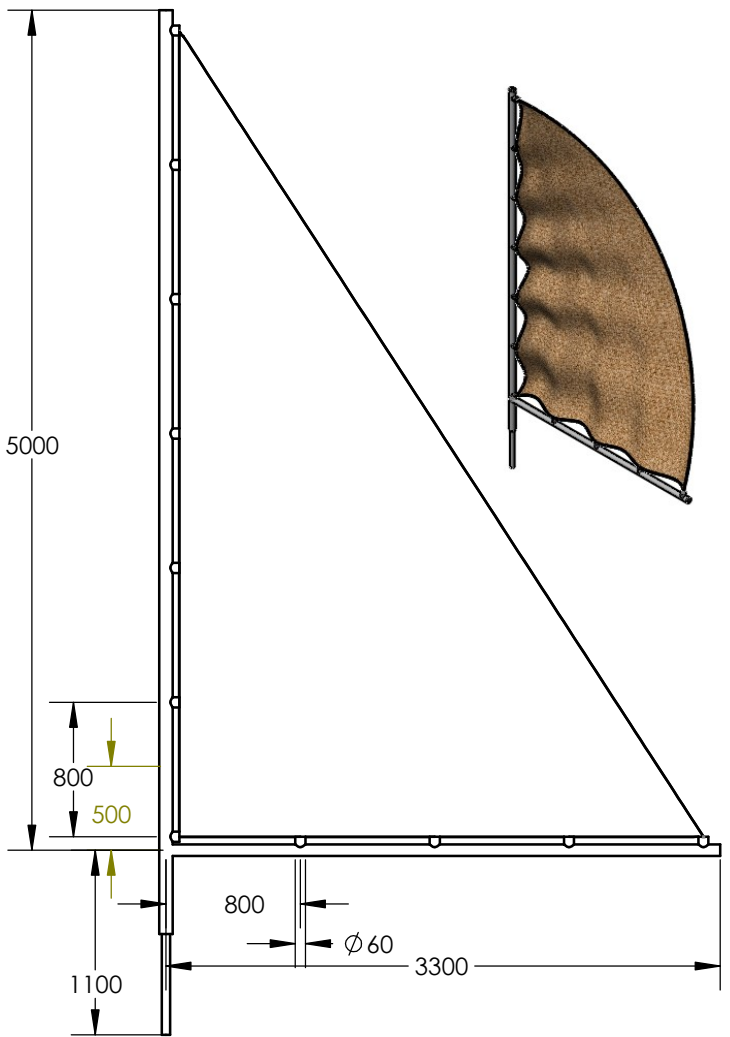
1

2

1


B

B



A

A

|  |  |  |  |   |          |  |
|--|--|--|--|---|----------|--|
| <p><b>PROPRIETARY AND CONFIDENTIAL</b></p> <p>THE INFORMATION CONTAINED IN THIS DRAWING IS THE SOLE PROPERTY OF PALAVI DECOR. ANY REPRODUCTION IN PART OR AS A WHOLE WITHOUT THE WRITTEN PERMISSION OF PALLAVI DANDEKAR IS PROHIBITED.</p> |  | UNLESS OTHERWISE SPECIFIED:  |  | NAME                                    | DATE     | <p>PALAVI DECORE</p>  |
|  |  | <p>DIMENSIONS ARE IN MM</p> <p>TOLERANCES:</p> <p>FRACTIONAL ±</p> <p>ANGULAR: MACH ± BEND ±</p> <p>TWO PLACE DECIMAL ±0.10</p> <p>THREE PLACE DECIMAL ±0.05</p> |  | DRAWN                                   | MAY11-17 |  |
|  |  | INTERPRET GEOMETRIC TOLERANCING PER:ANSI 3RD ANG.  |  | CHECKED                                 |          | <p><b>SAIL-KEEL-RUDDER</b></p>   |
|  |  | MATERIAL   |  | ENG APPR.                               |          |  |
| NEXT ASSY  |  | USED ON  |  | MFG APPR.                               |          | <b>A</b> <b>S103</b>   |
| APPLICATION  |  | DO NOT SCALE DRAWING   |  | Q.A.                                    |          | SCALE: 1:40 WEIGHT SHEET 2 OF 2  |
|  |  |  |  | COMMENTS:                               |          |  |
|  |  |  |  | 1) ROUND ALL SHARP CORNERS TO R 0.5 MAX |          |  |
|  |  |  |  | 2) APPLY CADMIUM TO BRACKETS            |          |  |

2

1